

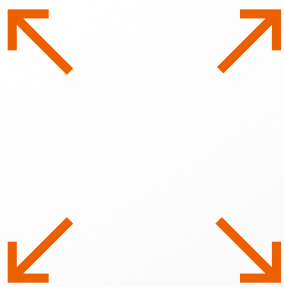


FLEXQUBE[®]

CARTS.

WWW.FLEXQUBE.COM

BENEFITS.



AVAILABLE IN ANY SIZE

FlexQube basic building blocks are available in a wide variety of lengths meaning you can build the cart in more or less any size you desire!



MODULAR

FlexQubes system is modular meaning that you can mix and match a wide range of modules within various categories to optimise the cart for your operations. Since the carts are bolted together it also means that you can adapt your carts in case your needs change instead of buying completely new carts!



TRANSPORT IT ANY WAY YOU WANT

FlexQubes modular system allows you to choose any transportation method or a mix of transportation methods. From a simple handlebar to a self driving eQart and anything in between. And since the FlexQube system is bolted together you can change the transportation method when needed instead of buying a new cart!



MARKET LEADING WEIGHT TO LOAD RATIO

All FlexQubes carts are built using steel components with a powder coated finish. The smart design of the building blocks means our constructions uses a lot less steel than a welded solution making it significantly lighter. When performing a test with a standard US Size Pallet Cart with a 1000 kg weight capacity a FlexQube cart requires 30% less push/pull force than a welded cart solution!

PALLET CARTS.

- 01.** PALLET CARTS
- 02.** LOW RIDER PALLET CARTS
- 03.** QUAD STEER PALLET CARTS
- 04.** RAISED PALLET CARTS
- 05.** CONVEYOR PALLET CARTS
- 06.** ROTATING PALLET CARTS
- 07.** TILTING PALLET CARTS



SAFETY
STANDARD
STANDARD

SAFETY
STANDARD
STANDARD

TOYOTA SHIPMENT
TOYOTA SHIPMENT
TOYOTA SHIPMENT
TOYOTA SHIPMENT
TOYOTA SHIPMENT
TOYOTA SHIPMENT

SAFETY
STANDARD
STANDARD

TOYOTA SHIPMENT
TOYOTA SHIPMENT
TOYOTA SHIPMENT

TOYOTA SHIPMENT
TOYOTA SHIPMENT
TOYOTA SHIPMENT
TOYOTA SHIPMENT
TOYOTA SHIPMENT
TOYOTA SHIPMENT

REEMPAQUE
CARRO DE
TOYOTA SHIPMENT

PALLET CARTS.



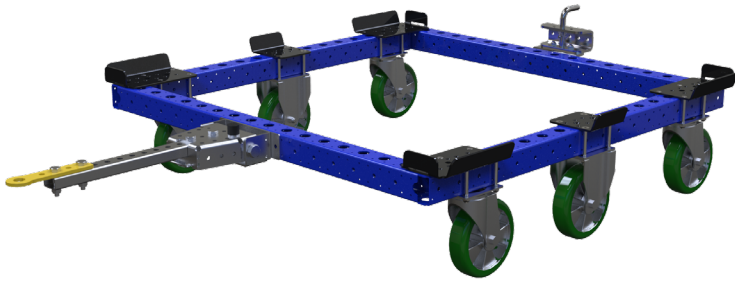
Q-Number	Q-100-4900
Size Options	Any
Load Capacity	500 kg / 1100 lbs.
Loading Height	313 mm / 12.3"
Caster Config.	2 Fixed, 2 Swivel
Caster Type	PP 200 mm / 8"
Cart Weight	52 kg / 115 lbs.
Transportation	Manual



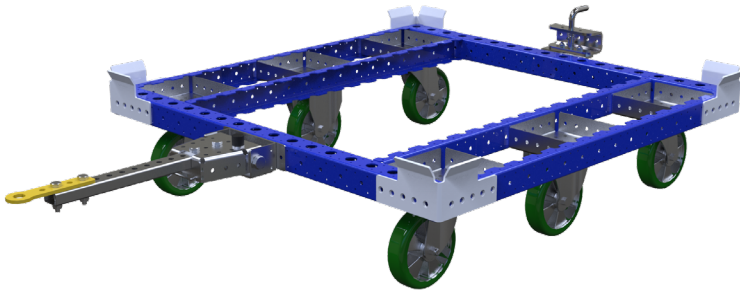
Q-Number	Q-100-4901
Size Options	Any
Load Capacity	750 kg / 1650 lbs.
Loading Height	303 mm / 11.9"
Caster Config.	2 Fixed, 2 Swivel
Caster Type	PP 200 mm / 8"
Cart Weight	57 kg / 126 lbs
Transportation	Manual



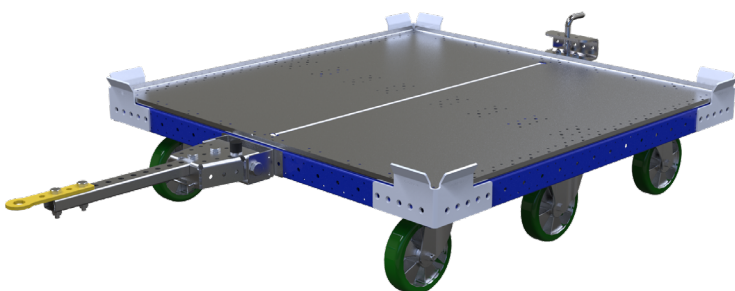
Q-Number	Q-100-4902
Size Options	Any
Load Capacity	1000 kg / 2200 lbs.
Loading Height	306 mm / 12"
Caster Config.	2 Fixed, 2 Swivel
Caster Type	PP 200 mm / 8"
Cart Weight	98 kg / 216 lbs
Transportation	Manual



Q-Number	Q-100-4905
Size Options	Any
Load Capacity	500 kg / 1100 lbs.
Loading Height	313 mm / 12.3"
Caster Config.	2 Fixed, 2 Swivel
Caster Type	PU 200 mm / 8"
Cart Weight	74 kg / 163 lbs.
Transportation	Tugger
Max Speed	6 km/h / 4 mph
Towing Capacity	6000 kg / 13200 lbs.



Q-Number	Q-100-4906
Size Options	Any
Load Capacity	750 kg / 1650 lbs.
Loading Height	303 mm / 11.9"
Caster Config.	2 Fixed, 2 Swivel
Caster Type	PU 200 mm / 8"
Cart Weight	82 kg / 181 lbs.
Transportation	Tugger
Max Speed	6 km/h / 4 mph
Towing Capacity	6000 kg / 13200 lbs.



Q-Number	Q-100-4907
Size Options	Any
Load Capacity	1000 kg / 2200 lbs.
Loading Height	306 mm / 12"
Caster Config.	2 Fixed, 2 Swivel
Caster Type	PU 200 mm / 8"
Cart Weight	124 kg / 273 lbs.
Transportation	Tugger
Max Speed	6 km/h / 4 mph
Towing Capacity	6000 kg / 13200 lbs.



Q-Number	Q-100-4910
Size Options	Any
Load Capacity	500 kg / 1100 lbs.
Loading Height	313 mm / 12.3"
Caster Config.	2 Fixed, 4 Swivel
Caster Type	PU 200 mm / 8"
Cart Weight	82 kg / 181 lbs
Transportation	Manual / Tugger
Max Speed	6 km/h / 4 mph
Towing Capacity	6000 kg / 13200 lbs.

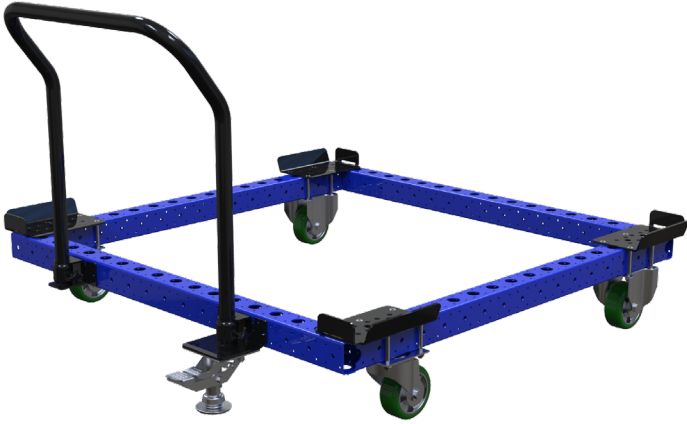


Q-Number	Q-100-4911
Size Options	Any
Load Capacity	750 kg / 1650 lbs.
Loading Height	303 mm / 11.9"
Caster Config.	2 Fixed, 4 Swivel
Caster Type	PU 200 mm / 8"
Cart Weight	90 kg / 198 lbs
Transportation	Manual / Tugger
Max Speed	6 km/h / 4 mph
Towing Capacity	6000 kg / 13200 lbs.



Q-Number	Q-100-4912
Size Options	Any
Load Capacity	1000 kg / 2200 lbs.
Loading Height	306 mm / 12"
Caster Config.	2 Fixed, 4 Swivel
Caster Type	PU 200 mm / 8"
Cart Weight	132 kg / 291 lbs.
Transportation	Manual / Tugger
Max Speed	6 km/h / 4 mph
Towing Capacity	6000 kg / 13200 lbs.

LOW RIDER PALLET CARTS.



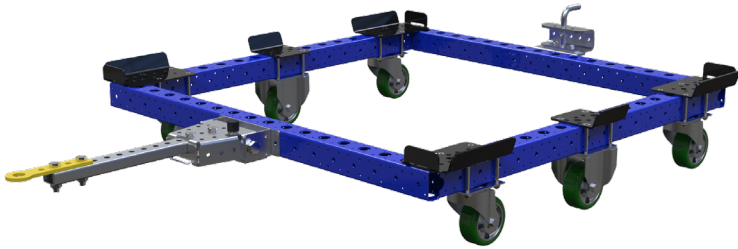
Q-Number	Q-100-5159
Size Options	Any
Load Capacity	500 kg / 1100 lbs.
Loading Height	242 mm / 9.5"
Caster Config.	2 Fixed, 2 Swivel
Caster Type	PU 125 mm / 5.5"
Cart Weight	58 kg / 128 lbs.
Transportation	Manual



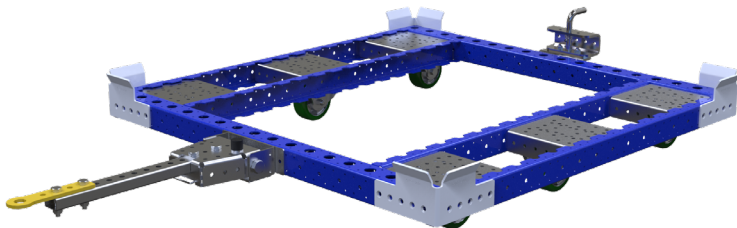
Q-Number	Q-100-4903
Size Options	Any
Load Capacity	750 kg / 1650 lbs.
Loading Height	178 mm / 7"
Caster Config.	2 Fixed, 2 Swivel
Caster Type	PU 125 mm / 5.5"
Cart Weight	59 kg / 130 lbs.
Transportation	Manual



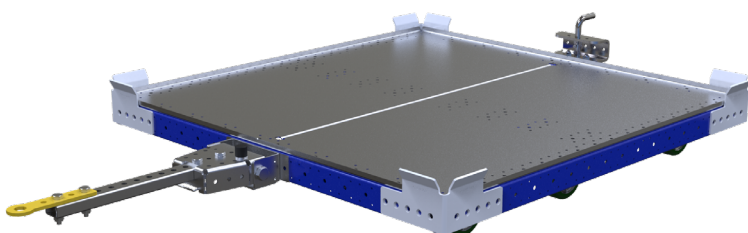
Q-Number	Q-100-4904
Size Options	Any
Load Capacity	1000 kg / 2200 lbs.
Loading Height	181 mm / 7.1"
Caster Config.	2 Fixed, 2 Swivel
Caster Type	PU 125 mm / 5.5"
Cart Weight	100 kg / 220 lbs.
Transportation	Manual



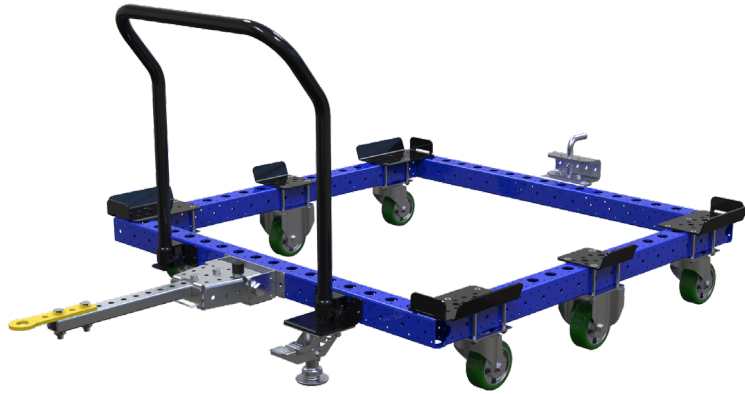
Q-Number	Q-100-5160
Size Options	Any
Load Capacity	500 kg / 1100 lbs.
Loading Height	242 mm / 9.5"
Caster Config.	2 Fixed, 4 Swivel
Caster Type	PU 125 mm / 5.5"
Cart Weight	72 kg / 159 lbs.
Transportation	Tugger
Max Speed	6 km/h / 4 mph
Towing Capacity	6000 kg / 13200 lbs.



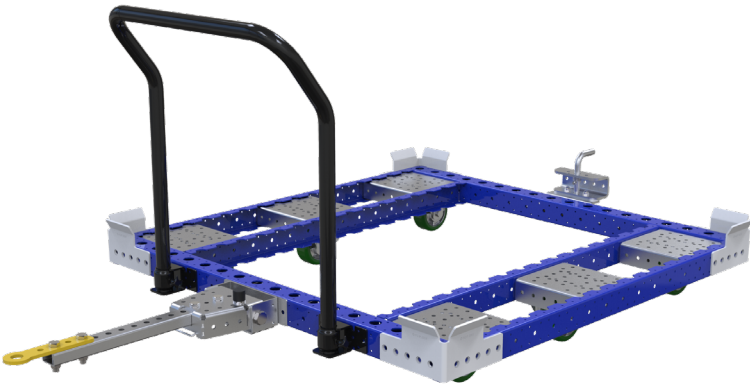
Q-Number	Q-100-4908
Size Options	Any
Load Capacity	750 kg / 1650 lbs.
Loading Height	178 mm / 7"
Caster Config.	2 Fixed, 4 Swivel
Caster Type	PU 125 mm / 5.5"
Cart Weight	74 kg / 163 lbs.
Transportation	Tugger
Max Speed	6 km/h / 4 mph
Towing Capacity	6000 kg / 13200 lbs.



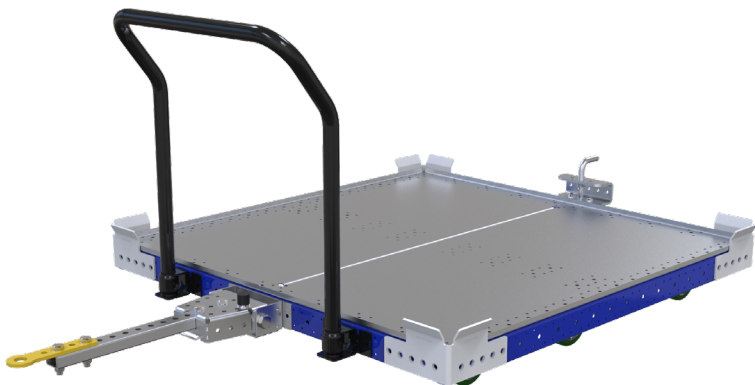
Q-Number	Q-100-4909
Size Options	Any
Load Capacity	1000 kg / 2200 lbs.
Loading Height	181 mm / 7.1 "
Caster Config.	2 Fixed, 4 Swivel
Caster Type	PU 125 mm / 5.5"
Cart Weight	116 kg / 265 lbs.
Transportation	Tugger
Max Speed	6 km/h / 4 mph
Towing Capacity	6000 kg / 13200 lbs.



Q-Number	Q-100-5161
Size Options	Any
Load Capacity	500 kg / 1100 lbs.
Loading Height	242 mm / 9.5"
Caster Config.	2 Fixed, 4 Swivel
Caster Type	PU 125 mm / 5.5"
Cart Weight	80 kg / 176 lbs.
Transportation	Manual / Tugger
Max Speed	6 km/h / 4 mph
Towing Capacity	6000 kg / 13200 lbs.

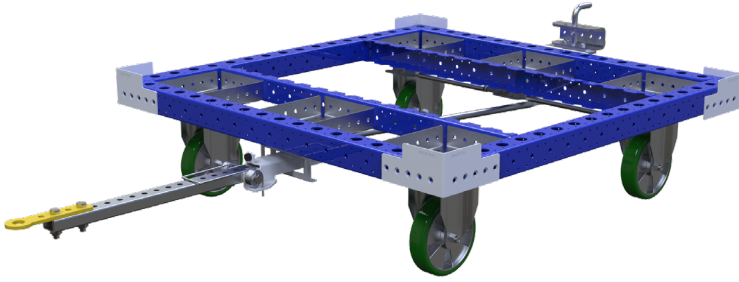


Q-Number	Q-100-4913
Size Options	Any
Load Capacity	750 kg / 1650 lbs.
Loading Height	178 mm / 7"
Caster Config.	2 Fixed, 4 Swivel
Caster Type	PU 125 mm / 5.5"
Cart Weight	81 kg / 179 lbs.
Transportation	Manual / Tugger
Max Speed	6 km/h / 4 mph
Towing Capacity	6000 kg / 13200 lbs.

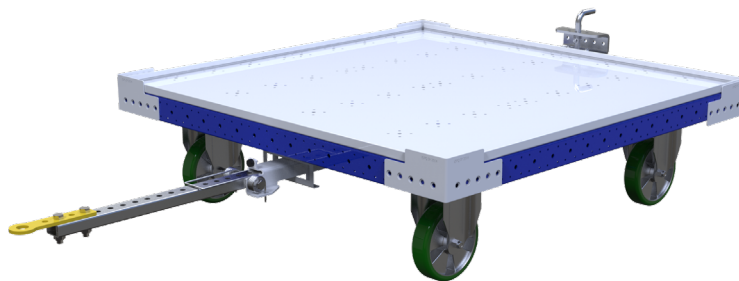


Q-Number	Q-100-4914
Size Options	Any
Load Capacity	1000 kg / 2200 lbs.
Loading Height	181 mm / 7.1 "
Caster Config.	2 Fixed, 4 Swivel
Caster Type	PU 125 mm / 5.5"
Cart Weight	123 kg / 271 lbs.
Transportation	Manual / Tugger
Max Speed	6 km/h / 4 mph
Towing Capacity	6000 kg / 13200 lbs.

QUAD STEER PALLET TUGGER CARTS.



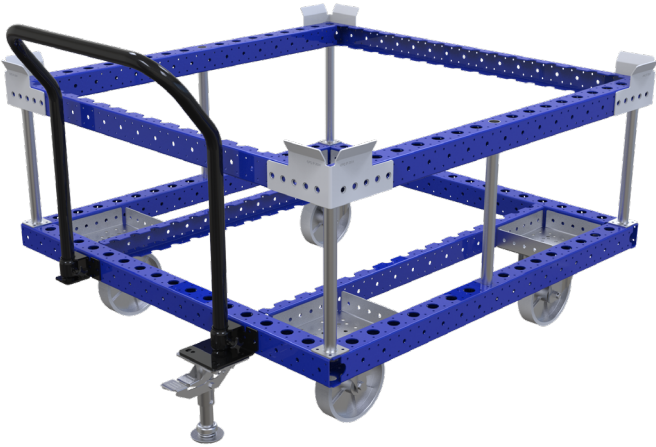
Q-Number	Q-100-4915
Size Options	Any
Load Capacity	750 kg / 1650 lbs.
Loading Height	347 mm / 13.7"
Caster Config.	Quad Steer
Caster Type	PU 200 mm / 8"
Cart Weight	82 kg / 181 lbs.
Transportation	Tugger
Max Speed	6 km/h / 4 mph
Towing Capacity	4000 kg / 8800 lbs.



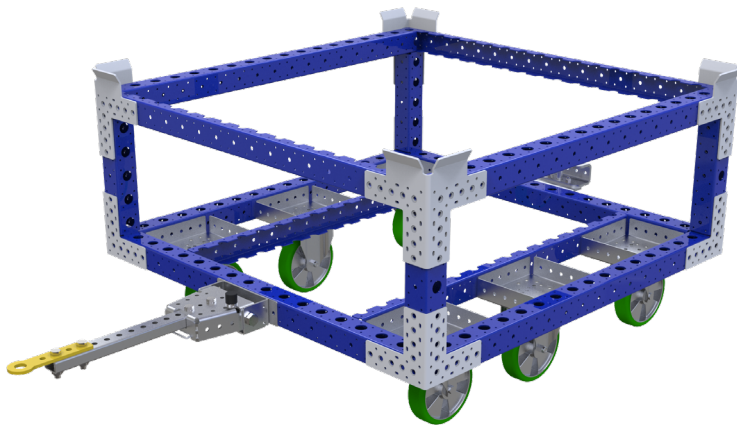
Q-Number	Q-100-4916
Size Options	Any
Load Capacity	1000 kg / 2200 lbs.
Loading Height	347 mm / 13.7"
Caster Config.	Quad Steer
Caster Type	PU 200 mm / 8"
Cart Weight	110 kg / 243 lbs.
Transportation	Tugger
Max Speed	6 km/h / 4 mph
Towing Capacity	4000 kg / 8800 lbs.



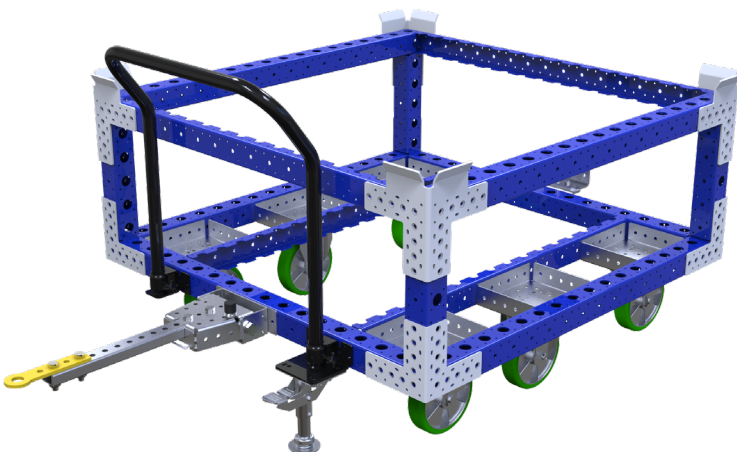
PALLET CARTS RAISED PLATFORM.



Q-Number	Q-100-5155
Size Options	Any
Load Capacity	500 kg / 1100 lbs.
Loading Height	723 mm / 28.5"
Caster Config.	2 Fixed, 2 Swivel
Caster Type	PP 200 mm / 8"
Cart Weight	86 kg / 190 lbs.
Transportation	Manual



Q-Number	Q-100-5156
Size Options	Any
Load Capacity	1000 kg / 2200 lbs.
Loading Height	723 mm / 28.5"
Caster Config.	2 Fixed, 4 Swivel
Caster Type	PU 200 mm / 8"
Cart Weight	130 kg / 286 lbs.
Transportation	Tugger
Max Speed	6 km/h / 4 mph
Towing Capacity	6000 kg / 13200 lbs.



Q-Number	Q-100-5157
Size Options	Any
Load Capacity	1000 kg / 2200 lbs.
Loading Height	723 mm / 28.5"
Caster Config.	2 Fixed, 4 Swivel
Caster Type	PU 200 mm / 8"
Cart Weight	139 kg / 306 lbs.
Transportation	Manual / Tugger
Max Speed	6 km/h / 4 mph
Towing Capacity	6000 kg / 13200 lbs.

PALLET CONVEYOR CARTS.



Q-Number	Q-100-4917
Size Options	Any
Load Capacity	1000 kg / 2200 lbs.
Loading Height	407 mm / 16"
Caster Config.	2 Fixed, 2 Swivel
Caster Type	PP 200 mm / 8"
Cart Weight	190 kg / 419 lbs.
Transportation	Manual



Q-Number	Q-100-4918
Size Options	Any
Load Capacity	1000 kg / 2200 lbs.
Loading Height	407 mm / 16"
Caster Config.	2 Fixed, 4 Swivel
Caster Type	PU 200 mm / 8"
Cart Weight	199 kg / 438 lbs.
Transportation	Tugger
Max Speed	6 km/h / 4 mph
Towing Capacity	6000 kg / 13200 lbs.



Q-Number	Q-100-4919
Size Options	Any
Load Capacity	1000 kg / 2200 lbs.
Loading Height	407 mm / 16"
Caster Config.	2 Fixed, 4 Swivel
Caster Type	PU 200 mm / 8"
Cart Weight	202 kg / 445 lbs.
Transportation	Manual / Tugger
Max Speed	6 km/h / 4 mph
Towing Capacity	6000 kg / 13200 lbs.

TILTING PALLET CARTS.



Q-Number	Q-100-4923
Size Options	Any
Load Capacity	750 kg / 1650 lbs.
Loading Height	685 mm / 27"
Caster Config.	2 Fixed, 2 Swivel
Caster Type	PU 200 mm / 8"
Cart Weight	165 kg / 364 lbs.
Transportation	Manual

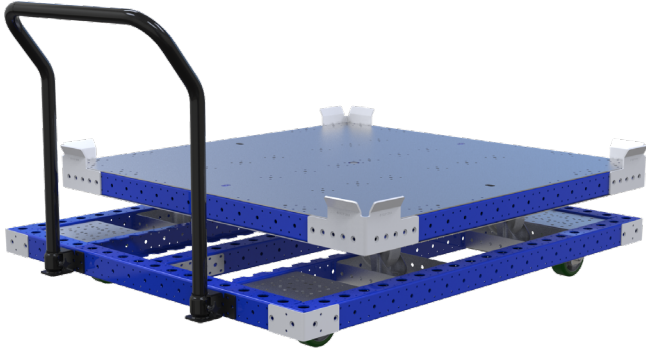


Q-Number	Q-100-4924
Size Options	Any
Load Capacity	1000 kg / 2200 lbs.
Loading Height	685 mm / 27"
Caster Config.	2 Fixed, 4 Swivel
Caster Type	PU 200 mm / 8"
Cart Weight	172 kg / 379 lbs.
Transportation	Tugger
Max Speed	6 km/h / 4 mph
Towing Capacity	6000 kg / 13200 lbs.

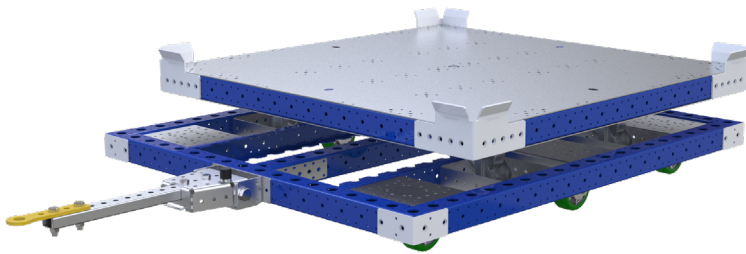


Q-Number	Q-100-4925
Size Options	Any
Load Capacity	1000 kg / 2200 lbs.
Loading Height	685 mm / 27"
Caster Config.	2 Fixed, 4 Swivel
Caster Type	PU 200 mm / 8"
Cart Weight	179 kg / 395 lbs.
Transportation	Manual / Tugger
Max Speed	6 km/h / 4 mph
Towing Capacity	6000 kg / 13200 lbs.

ROTATING PALLET CARTS.



Q-Number	Q-100-4920
Size Options	Any
Load Capacity	1000 kg / 2200 lbs.
Loading Height	350 mm / 27"
Caster Config.	2 Fixed, 2 Swivel
Caster Type	PU 125 mm / 5.5"
Cart Weight	214 kg / 364 lbs.
Transportation	Manual / Tugger



Q-Number	Q-100-4921
Size Options	Any
Load Capacity	1000 kg / 2200 lbs.
Loading Height	350 mm / 27"
Caster Config.	2 Fixed, 4 Swivel
Caster Type	PU 125 mm / 5.5"
Cart Weight	221 kg / 379 lbs.
Transportation	Tugger
Max Speed	6 km/h / 4 mph
Towing Capacity	6000 kg / 13200 lbs.



Q-Number	Q-100-4922
Size Options	Any
Load Capacity	1000 kg / 2200 lbs.
Loading Height	350 mm / 27"
Caster Config.	2 Fixed, 4 Swivel
Caster Type	PU 125 mm / 5.5"
Cart Weight	228 kg / 395 lbs.
Transportation	Manual / Tugger
Max Speed	6 km/h / 4 mph
Towing Capacity	6000 kg / 13200 lbs.



SHELF CARTS.

- 01.** FLAT SHELF CARTS
- 02.** FLOW SHELF CARTS
- 03.** EXTENDABLE SHELF CARTS
- 04.** FLOW RACKS



 **CART 2**
**LCS
MECHANICAL
BUILD
POU**

KITTING AREA

FLAT SHELF CARTS.



Q-Number	Q-100-4926
Max Load Capacity	400 kg / 880 lbs.
Shelf Load Capacity	100 kg / 220 lbs.
Caster Config.	2 Fixed, 2 Swivel
Caster Type	PP 200 mm / 8"
Transportation	Manual
Cart Weight	135 kg / 298 lbs.



Q-Number	Q-100-4927
Max Load Capacity	400 kg / 880 lbs.
Shelf Load Capacity	100 kg / 220 lbs.
Caster Config.	2 Fixed, 2 Swivel
Caster Type	PP 200 mm / 8"
Transportation	Manual
Cart Weight	143 kg / 315 lbs.



Q-Number	Q-100-4928
Max Load Capacity	540 kg / 1200 lbs.
Shelf Load Capacity	135 kg / 300 lbs.
Caster Config.	2 Fixed, 4 Swivel
Caster Type	PU 200 mm / 8"
Transportation	Tugger
Max Speed	6 km/h / 4 mph
Towing Capacity	6000 kg / 13200 lbs.
Cart Weight	193 kg / 425 lbs.



Q-Number	Q-100-4929
Max Load Capacity	540 kg / 1200 lbs.
Shelf Load Capacity	135 kg / 300 lbs.
Caster Config.	2 Fixed, 4 Swivel
Caster Type	PU 200 mm / 8"
Transportation	Manual / Tugger
Max Speed	6 km/h / 4 mph
Towing Capacity	6000 kg / 13200 lbs.
Cart Weight	202 kg / 445 lbs.

FLOW SHELF CARTS.



Q-Number	Q-100-4930
Max Load Capacity	400 kg / 880 lbs.
Shelf Load Capacity	100 kg / 220 lbs.
Caster Config.	4 Swivel
Caster Type	PP 200 mm / 8"
Transportation	Manual
Cart Weight	139 kg / 306 lbs.



Q-Number	Q-100-4931
Max Load Capacity	400 kg / 880 lbs.
Shelf Load Capacity	100 kg / 220 lbs.
Caster Config.	2 Fixed, 2 Swivel
Caster Type	PP 200 mm / 8"
Transportation	Manual
Cart Weight	146 kg / 322 lbs.



Q-Number	Q-100-4932
Max Load Capacity	540 kg / 1200 lbs.
Shelf Load Capacity	135 kg / 300 lbs.
Caster Config.	2 Fixed, 4 Swivel
Caster Type	PU 200 mm / 8"
Transportation	Tugger
Max Speed	6 km/h / 4 mph
Towing Capacity	6000 kg / 13200 lbs.
Cart Weight	198 kg / 437 lbs.



Q-Number	Q-100-4933
Max Load Capacity	540 kg / 1200 lbs.
Shelf Load Capacity	135 kg / 300 lbs.
Caster Config.	2 Fixed, 4 Swivel
Caster Type	PU 200 mm / 8"
Transportation	Manual / Tugger
Max Speed	6 km/h / 4 mph
Towing Capacity	6000 kg / 13200 lbs.
Cart Weight	208 kg / 459 lbs.

EXTENDABLE SHELF CARTS.



Q-Number	Q-100-4934
Max Load Capacity	435 kg / 960 lbs.
Flat Shelf Load Cap.	135 kg / 300 lbs.
Ext. Shelf Load Cap.	100 kg / 220 lbs.
Caster Config.	4 Swivel
Caster Type	PP 200 mm / 8"
Transportation	Manual
Cart Weight	172 kg / 379 lbs.



Q-Number	Q-100-4935
Max Load Capacity	435 kg / 960 lbs.
Flat Shelf Load Cap.	135 kg / 300 lbs.
Ext. Shelf Load Cap.	100 kg / 220 lbs.
Caster Config.	2 Fixed, 2 Swivel
Caster Type	PP 200 mm / 8"
Transportation	Manual
Cart Weight	181 kg / 399 lbs.



Q-Number	Q-100-4936
Max Load Capacity	435 kg / 960 lbs.
Flat Shelf Load Cap.	135 kg / 300 lbs.
Ext. Shelf Load Cap.	100 kg / 220 lbs.
Caster Config.	2 Fixed, 4 Swivel
Caster Type	PU 200 mm / 8"
Transportation	Tugger
Max Speed	6 km/h / 4 mph
Towing Capacity	6000 kg / 13200 lbs.
Cart Weight	212 kg / 467 lbs.



Q-Number	Q-100-4937
Max Load Capacity	435 kg / 960 lbs.
Flat Shelf Load Cap.	135 kg / 300 lbs.
Ext. Shelf Load Cap.	100 kg / 220 lbs.
Caster Config.	2 Fixed, 4 Swivel
Caster Type	PU 200 mm / 8"
Transportation	Manual / Tugger
Max Speed	6 km/h / 4 mph
Towing Capacity	6000 kg / 13200 lbs.
Cart Weight	221 kg / 487 lbs.

FLOW RACKS.



Q-Number	Q-100-5254
Max Load Capacity	400 kg / 880 lbs.
Shelf Load Capacity	100 kg / 220 lbs.
Rack Weight	86 kg / 200 lbs.



Q-Number	Q-100-5253
Max Load Capacity	600 kg / 1320 lbs.
Shelf Load Capacity	150 kg / 330 lbs.
Rack Weight	112 kg / 250 lbs.



Q-Number	Q-100-5252
Max Load Capacity	400 kg / 880 lbs.
Shelf Load Capacity	100 kg / 220 lbs.
Caster Config.	4 Swivel
Caster Type	PP 200 mm / 8"
Transportation	Manual
Cart Weight	106 kg / 234 lbs.



Q-Number	Q-100-5251
Max Load Capacity	600 kg / 1320 lbs.
Shelf Load Capacity	150 kg / 330 lbs.
Caster Config.	2 Fixed, 2 Swivel
Caster Type	PP 200 mm / 8"
Transportation	Manual
Cart Weight	138 kg / 304 lbs.



Q-Number	Q-100-5249
Max Load Capacity	600 kg / 13200 lbs.
Shelf Load Capacity	150 kg / 330 lbs.
Caster Config.	2 Fixed, 4 Swivel
Caster Type	PU 200 mm / 8"
Transportation	Tugger
Max Speed	6 km/h / 4 mph
Towing Capacity	6000 kg / 13200 lbs.
Cart Weight	169 kg / 373 lbs.



Q-Number	Q-100-5250
Max Load Capacity	600 kg / 1320 lbs.
Shelf Load Capacity	150 kg / 330 lbs.
Caster Config.	2 Fixed, 4 Swivel
Caster Type	PU 200 mm / 8"
Transportation	Manual / Tugger
Max Speed	6 km/h / 4 mph
Towing Capacity	6000 kg / 13200 lbs.
Cart Weight	176 kg / 388 lbs.



MOTHER DAUGHTER CARTS.

- 01.** LIGHT DUTY MOTHER CARTS
- 02.** LIGHT DUTY SHELF DAUGHTER CARTS
- 03.** HEAVY DUTY SHELF MOTHER CARTS
- 04.** HEAVY DUTY SHELF DAUGHTER CARTS
- 05.** RAMP TYPE MOTHER CARTS
- 06.** RAMP TYPE DAUGHTER CARTS



LIGHT DUTY MOTHER CARTS.



Q-Number	Q-100-5308
Caster Config.	2 Fixed, 4 Swivel
Caster Type	PU 125 mm / 5.5"
Transportation	Tugger
Recom. Max Speed	6 km/h / 4mph
Towing Cap. in Train	6000 kg / 13200 lbs.
Daughter Cart Slots	1-3
Cart Weight	112 kg / 247 lbs.



Q-Number	Q-100-5309
Caster Config.	2 Fixed, 4 Swivel
Caster Type	PU 125 mm / 5.5"
Transportation	Tugger
Recom. Max Speed	6 km/h / 4mph
Towing Cap. in Train	6000 kg / 13200 lbs.
Daughter Cart Slots	2-6
Cart Weight	117 kg / 258 lbs.

LIGHT DUTY SHELF DAUGHTER CARTS.



Q-Number	Q-100-5310
Max Load Capacity	140 kg / 320 lbs.
Shelf Load Capacity	35 kg / 80 lbs.
Caster Config.	4 Swivel
Caster Type	PU 125 mm / 5.5"
Transportation	Manual
Cart Weight	41 kg / 90 lbs.



Q-Number	Q-100-5311
Max Load Capacity	200 kg / 440 lbs.
Shelf Load Capacity	50 kg / 110 lbs.
Caster Config.	4 Swivel
Caster Type	PU 125 mm / 5.5"
Transportation	Manual
Cart Weight	77 kg / 170 lbs.

HEAVY DUTY SHELF MOTHER CARTS.



Q-Number	Q-100-5312
Caster Config.	2 Fixed, 4 Swivel
Caster Type	PU 125 mm / 5.5"
Transportation	Tugger
Recom. Max Speed	6 km/h / 4mph
Towing Cap. in Train	6000 kg / 13200 lbs.
Daughter Cart Slots	1-3
Cart Weight	172 kg / 379 lbs.



Q-Number	Q-100-5313
Caster Config.	2 Fixed, 4 Swivel
Caster Type	PU 125 mm / 5.5"
Transportation	Tugger
Recom. Max Speed	6 km/h / 4mph
Towing Cap. in Train	6000 kg / 13200 lbs.
Daughter Cart Slots	2-6
Cart Weight	203 kg / 448 lbs.

HEAVY DUTY SHELF DAUGHTER CARTS.

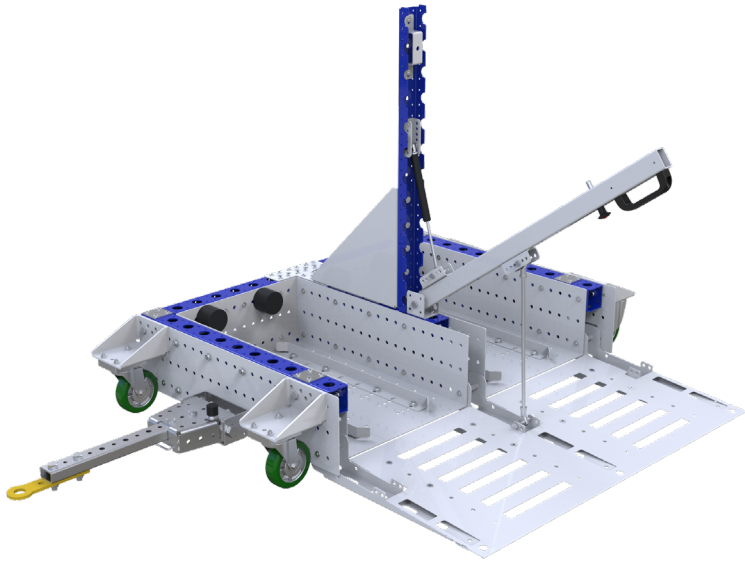


Q-Number	Q-100-2768
Max Load Capacity	400 kg / 880 lbs.
Shelf Load Capacity	100 kg / 220 lbs.
Caster Config.	4 Swivel
Caster Type	PU 125 mm / 5.5"
Transportation	Manual
Cart Weight	80 kg / 176 lbs.

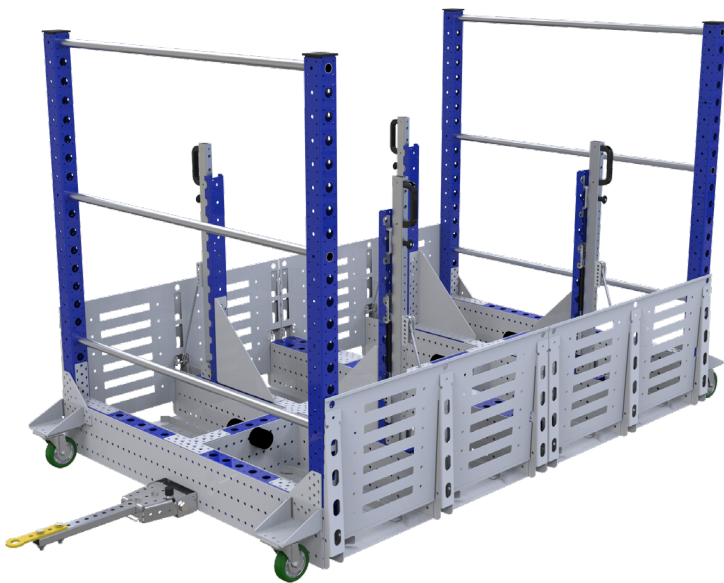


Q-Number	Q-100-5314
Max Load Capacity	540 kg / 1200 lbs.
Shelf Load Capacity	135 kg / 300 lbs.
Caster Config.	4 Swivel
Caster Type	PU 125 mm / 5.5"
Transportation	Manual
Cart Weight	133 kg / 293 lbs.

RAMP TYPE MOTHER CARTS.



Q-Number	Q-100-3282
Load Capacity	200 kg / 440 lbs.
Caster Config.	2 Fixed, 2 Swivel
Caster Type	PU 125 mm / 5.5"
Transportation	Tugger
Recom. Max Speed	6 km/h / 4mph
Towing Cap. in Train	6000 kg / 13200 lbs.
Daughter Cart Slots	1-4
Cart Weight	306 kg / 675 lbs.

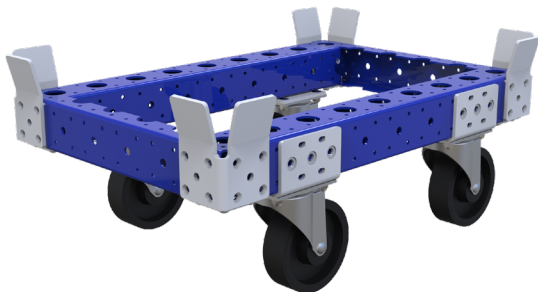


Q-Number	Q-100-5315
Load Capacity	800 kg / 1760 lbs.
Caster Config.	2 Fixed, 4 Swivel
Caster Type	PU 125 mm / 5.5"
Transportation	Tugger
Recom. Max Speed	6 km/h / 4mph
Towing Cap. in Train	6000 kg / 13200 lbs.
Daughter Cart Slots	2-8
Cart Weight	400 kg / 880 lbs.

RAMP TYPE DAUGHTER CARTS.



Q-Number	Q-100-1045
Load Capacity	100 kg / 220 lbs.
Caster Config.	2 Fixed, 2 Swivel
Caster Type	PU/PP 125 mm
Size Options	350 – 630 mm / 13.8 – 24.8" (Width and Length)
Cart Weight	14 kg / 31 lbs.



Q-Number	Q-100-5316
Load Capacity	200 kg / 440 lbs.
Caster Config.	2 Fixed, 2 Swivel
Caster Type	PU/PP 125 mm
Size Options	350 – 630 mm / 13.8 – 24.8" (Width and Length)
Cart Weight	18 kg / 40 lbs.



SFMTA
LRV-2049A

HANGING CARTS.

- 01. ONE SIDED HANGING CARTS
- 02. TWO SIDED HANGING CARTS



ONE SIDED HANGING CARTS.



Q-Number	Q-100-5289
Load Capacity	240 kg / 530 lbs.
Hanger Load Cap.	30 kg / 66 lbs.
Caster Config.	2 Fixed, 2 Swivel
Caster Type	PP 200 mm / 8"
Transportation	Manual / Frame
Cart Weight	92 kg / 203 lbs.



Q-Number	Q-100-5292
Load Capacity	450 kg / 990 lbs.
Hanger Load Cap.	50 kg / 110 lbs.
Caster Config.	2 Fixed, 2 Swivel
Caster Type	PP 200 mm / 8"
Transportation	Manual / Frame
Cart Weight	126 kg / 278 lbs.



Q-Number	Q-100-5290
Load Capacity	240 kg / 530 lbs.
Hanger Load Cap.	30 kg / 66 lbs.
Caster Config.	2 Fixed, 4 Swivel
Caster Type	PU 200 mm / 8"
Transportation	Tugger
Max Speed	6 km/h / 4mph
Towing Capacity	6000 kg / 13200 lbs.
Cart Weight	124 kg / 273 lbs.



Q-Number	Q-100-5293
Load Capacity	450 kg / 990 lbs.
Hanger Load Cap.	50 kg / 110 lbs.
Caster Config.	2 Fixed, 4 Swivel
Caster Type	PU 200 mm / 8"
Transportation	Tugger
Max Speed	6 km/h / 4mph
Towing Capacity	6000 kg / 13200 lbs.
Cart Weight	156 kg / 344 lbs.



Q-Number	Q-100-5291
Load Capacity	240 kg / 530 lbs.
Hanger Load Cap.	30 kg / 66 lbs.
Caster Config.	2 Fixed, 4 Swivel
Caster Type	PU 200 mm / 8"
Transportation	Manual / Tugger
Max Speed	6 km/h / 4mph
Towing Capacity	6000 kg / 13200 lbs.
Cart Weight	132 kg / 291 lbs.



Q-Number	Q-100-5294
Load Capacity	450 kg / 990 lbs.
Hanger Load Cap.	50 kg / 110 lbs.
Caster Config.	2 Fixed, 4 Swivel
Caster Type	PU 200 mm / 8"
Transportation	Manual / Tugger
Max Speed	6 km/h / 4mph
Towing Capacity	6000 kg / 13200 lbs.
Cart Weight	164 kg / 362 lbs.

TWO SIDED HANGING CARTS.



Q-Number	Q-100-5295
Load Capacity	480 kg / 1060 lbs.
Hanger Load Cap.	30 kg / 66 lbs.
Caster Config.	2 Fixed, 2 Swivel
Caster Type	PP 200 mm / 8"
Transportation	Manual / Frame
Cart Weight	95 kg / 209 lbs.



Q-Number	Q-100-5298
Load Capacity	600 kg / 1320 lbs.
Hanger Load Cap.	50 kg / 110 lbs.
Caster Config.	2 Fixed, 2 Swivel
Caster Type	PP 200 mm / 8"
Transportation	Manual / Frame
Cart Weight	149 kg / 328 lbs.



Q-Number	Q-100-5296
Load Capacity	480 kg / 1060 lbs.
Hanger Load Cap.	30 kg / 66 lbs.
Caster Config.	2 Fixed, 4 Swivel
Caster Type	PU 200 mm / 8"
Transportation	Tugger
Max Speed	6 km/h / 4mph
Towing Capacity	6000 kg / 13200 lbs.
Cart Weight	126 kg / 278 lbs.



Q-Number	Q-100-5299
Load Capacity	600 kg / 1320 lbs.
Hanger Load Cap.	50 kg / 110 lbs.
Caster Config.	2 Fixed, 4 Swivel
Caster Type	PU 200 mm / 8"
Transportation	Tugger
Max Speed	6 km/h / 4mph
Towing Capacity	6000 kg / 13200 lbs.
Cart Weight	180 kg / 397 lbs.

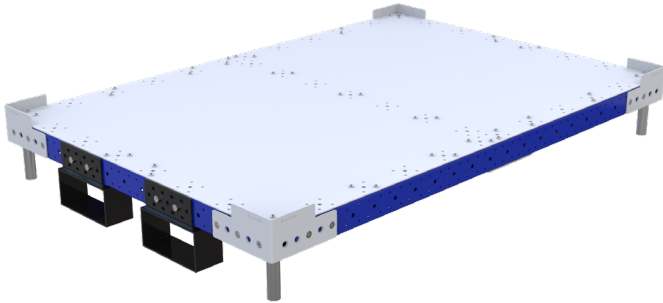


Q-Number	Q-100-5297
Load Capacity	480 kg / 1060 lbs.
Hanger Load Cap.	30 kg / 66 lbs.
Caster Config.	2 Fixed, 4 Swivel
Caster Type	PU 200 mm / 8"
Transportation	Manual / Tugger
Max Speed	6 km/h / 4mph
Towing Capacity	6000 kg / 13200 lbs.
Cart Weight	134 kg / 295 lbs.

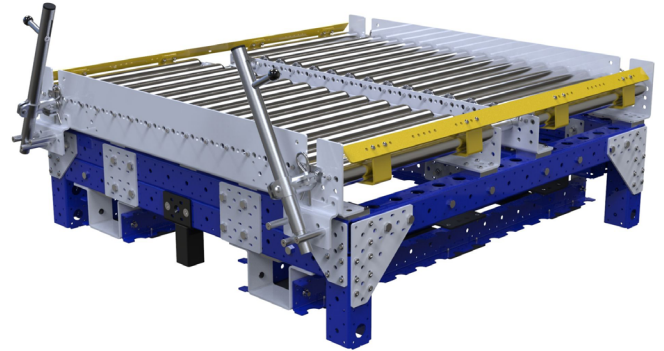


Q-Number	Q-100-5300
Load Capacity	600 kg / 1320 lbs.
Hanger Load Cap.	50 kg / 110 lbs.
Caster Config.	2 Fixed, 4 Swivel
Caster Type	PU 200 mm / 8"
Transportation	Manual / Tugger
Max Speed	6 km/h / 4mph
Towing Capacity	6000 kg / 13200 lbs.
Cart Weight	188 kg / 414 lbs.

ORDER PICKING CARTS.



Q-Number Q-100-4225
Cart Size 41 x 60in / 1050x1540mm
Max Loading cap. 2000 lbs / 907 kg
Cart Weight 214 lbs / 97 kg



Q-Number Q-100-3998
Cart Size 44 x 44in / 1120x1120mm
Max Loading cap. 1500 lbs / 680 kg
Cart Weight 408 lbs / 185 kg



Solution name Flow Shelf Cart
Solution number Q-100-1886
Cart Size 41 x 47in / 1050 x 1190mm
Max loading cap. 992 lbs / 450 kg
Max loading/shelf 200 lbs / 90 kg



Solution name Flow Shelf Cart
Solution number Q-100-1400
Cart Size 41 x 55in / 1050 x 1400mm
Max loading cap. 1000 lbs / 450 kg
Max loading / shelf 200 lbs / 90 kg
Cart Weight 511 lbs / 232 kg



Solution name Order Picker Shelf Cart
Solution number Q-100-4167
Cart Size 36 x 44in / 910 x 1120mm
Max loading cap. 1102 lbs / 500 kg
Max loading / shelf 352 lbs / 160 kg
Cart Weight 584 lbs / 265 kg



Solution name Order Picker Cart
Solution number Q-100-4082
Cart Size 41x 72in / 1050 x 1820mm
Max loading cap. 1100 lbs / 500 kg
Cart Weight 397 lbs / 180 kg



Solution name Order Picker Cart
Solution number Q-100-3039
Cart Size 41 x 44in / 1050 x 1120mm
Max loading cap. 1000 lbs / 454 kg
Cart Weight 272 lbs / 600 kg



Solution name Order Picker Shelf Cart
Solution number Q-100-4319
Cart Size 50 x 58in / 1260 x 1470mm
Max loading cap. 1763 lbs / 800 kg
Cart Weight 540 lbs / 254 kg

ADDONS.





CASTER OPTIONS.

POLYURETHANE (PU)

Surface Material	Polyurethane
Core Material	Aluminium
Available Sizes	5.5" / 8" 125 / 200 mm
Available Types	Fixed, Swivel, Swivel w.Brake
Load Capacity	880 / 1543 lbs at 2.5 mph 400 / 700 kg at 4 km/h
Attachment	4" x 3" / 105 x 80 mm



NYLON (PP)

Surface Material	Nylon
Core Material	Nylon
Available Sizes	8" / 200 mm
Available Types	Fixed, Swivel, Swivel w.Brake
Load Capacity	880 lbs at 2.5 mph 400 kg at 4 km/h
Attachment	4" x 3" / 105 x 80 mm

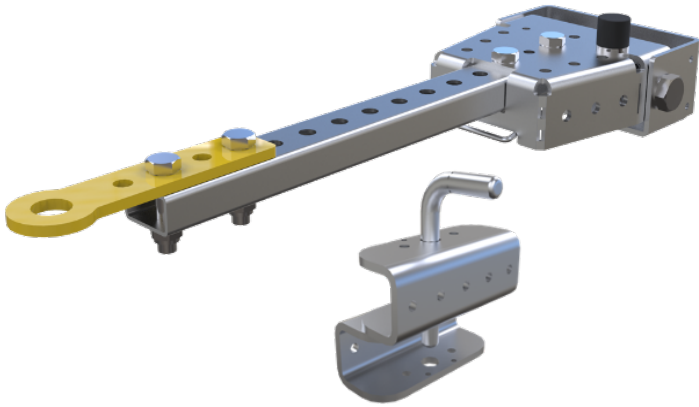


NYLON / POLYURETHANE (PP/PU)

Surface Material	Polyurethane
Core Material	Nylon
Available Sizes	5.5" / 125 mm
Available Types	Fixed, Swivel, Swivel w.Brake
Load Capacity	440 lbs at 2.5 mph 200 kg at 4 km/h
Attachment	3" x 2.3" / 80 x 60 mm

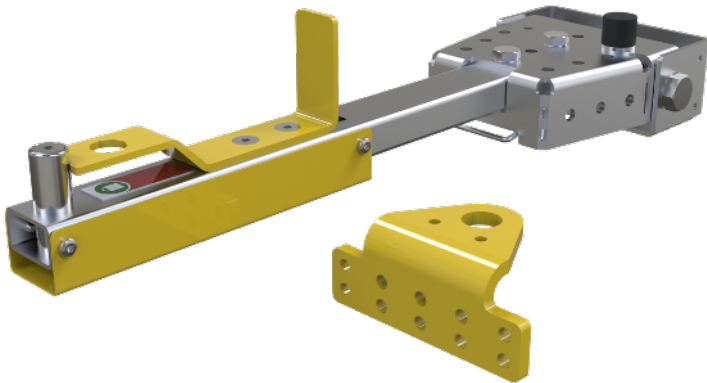


TOW BAR OPTIONS.



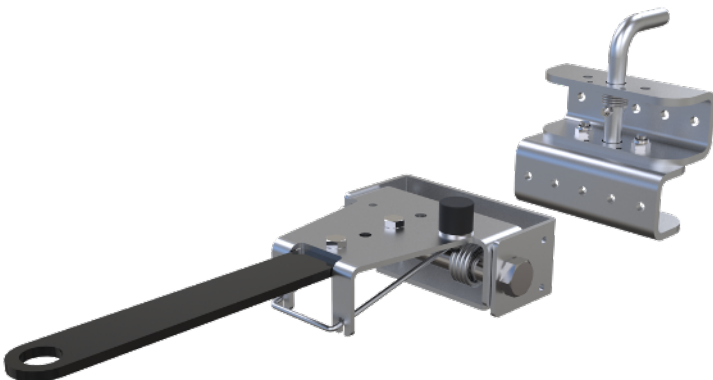
TONGUE & HITCH

Available Lengths	26" / 31.5" 660 / 800 mm
Available Lip Sizes	1.1" / 1.5" / 25" 28 / 40 / 63,5 mm
Towing Capacity	13200 lbs / 6000 kg
Spring Loaded	Yes



ERGO. RELEASE

Available Lengths	26" / 31.5" 660 / 800 mm
Available Lip Sizes	1.1" / 28 mm
Towing Capacity	13200 lbs / 6000 kg
Spring Loaded	Yes



LIGHT DUTY

Available Lengths	20" / 500 mm
Available Lip Sizes	1.1" / 28 mm
Towing Capacity	4400 lbs / 2000 kg
Spring Loaded	Yes

HANDLEBAR OPTIONS.

HANDLEBAR – BENT TOP

Attached to	Platform
Available Heights	16.5" - 35" / 420 - 890 mm
Available Widths	13.8" - 27.5" / 350 - 700 mm
Tube Diameter	1.5" / 35 mm
Removable	Yes



BRIDGE HANDLES

Attached to	Top Structure
Available Heights	N/A
Available Widths	5.5", 8.3" / 140, 210 mm
Removable	No



TUBE HANDLEBARS

Attached to	Top Structure
Available Heights	N/A
Available Widths	2.8" - 60" / 70 - 1540 mm
Removable	No



FORK LIFT & ORDER PICKER OPTIONS.

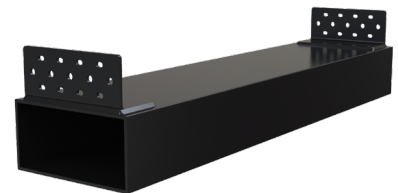
FORK POCKETS

Profile Size	8" x 2.7" x 4"
	200 x 70 x 100 mm



FORK TUNNELS

Available Lengths	16.5" – 63.4"
	420 – 1610 mm
Profile Size	8" x 4" / 200 x 100 mm



ORDER PICKER ATTACHMENT

Profile Size	1.7" x 4" / 44 x 102 mm
---------------------	-------------------------



PROTECTION.

TUBE END CAP

Attached to Tube Hangers
Diameter 1.18" / 30 mm
Height 1.22" / 31 mm



TUBE END PLUG

Attached to Tube Hangers
Diameter 1.18" / 30 mm



RUBBER DAMPER

Attached to Tube Hangers
Available Diameter 2", 2.75" / 50, 70 mm



END STOP

Attached to Tube Hangers
Height 3.15" / 80 mm



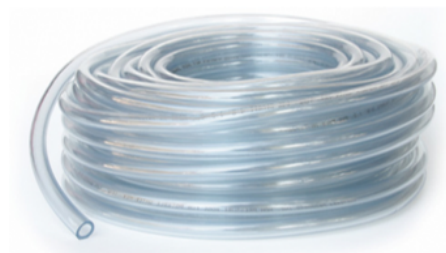
FOAM TUBE COVER

Attached to Tube Hangers
Diameter (Inner) 1.14" / 29 mm
Diameter (Outer) 1.5" / 38 mm
Available Lengths Any



PVC TUBE COVER

Attached to Tube Hangers
Diameter (Outer) 1.25" / 32 mm
Diameter (Inner) 1.4" / 36 mm
Available Lengths Any





CONTACT.

NORTH AMERICA

FLEXQUBE INC.
317 Tucapau Rd
Duncan, SC 29334
USA

EUROPE

FLEXQUBE AB (HQ)
Neongatan 8
431 53 Mölndal Sweden

sales@flexqube.com



